

6.9 Mounting examples

Angle adapter for 90° turned mounting available optionally

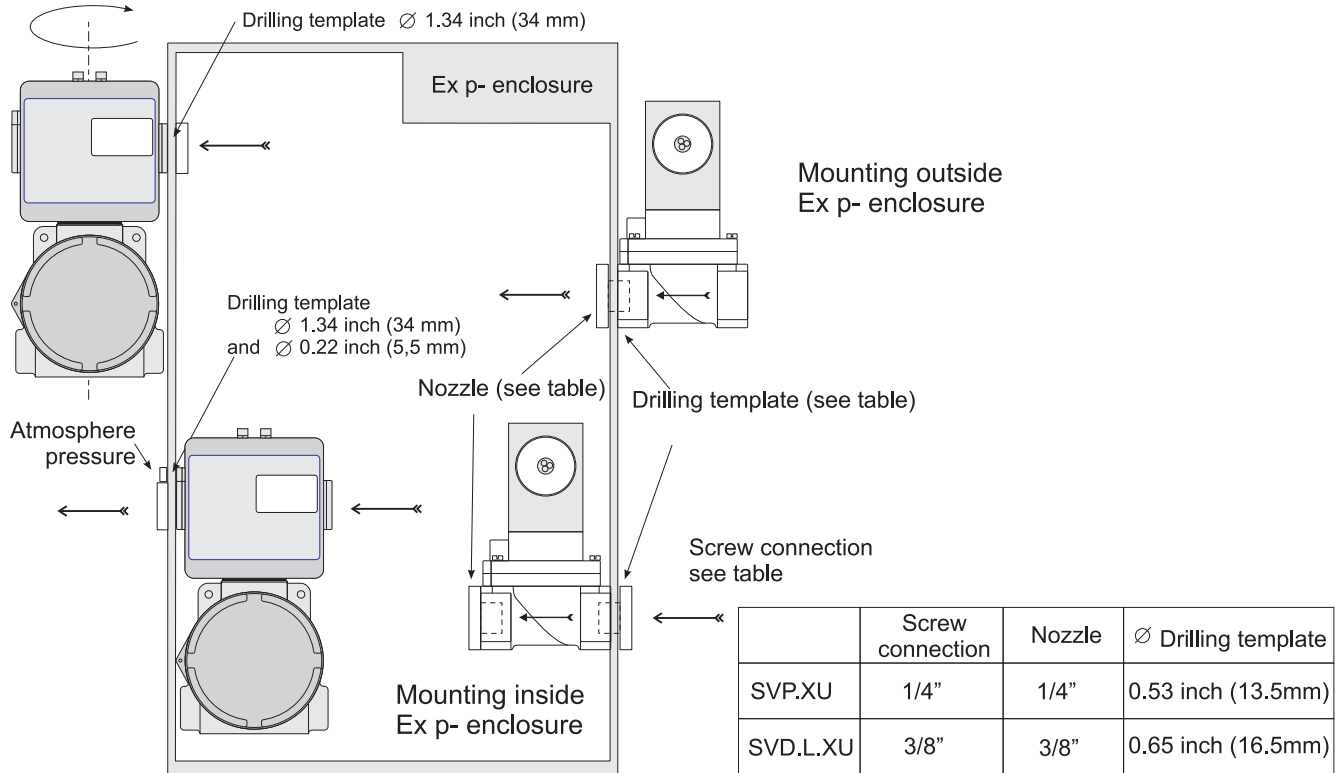


Figure 1: Mounting examples

6.10 Fuse Replacement

See fuse rating on the solenoid valve label		
Mains Voltage	Fuse rate	Comment
110 V AC	200 mA	

6.11 Dimensions

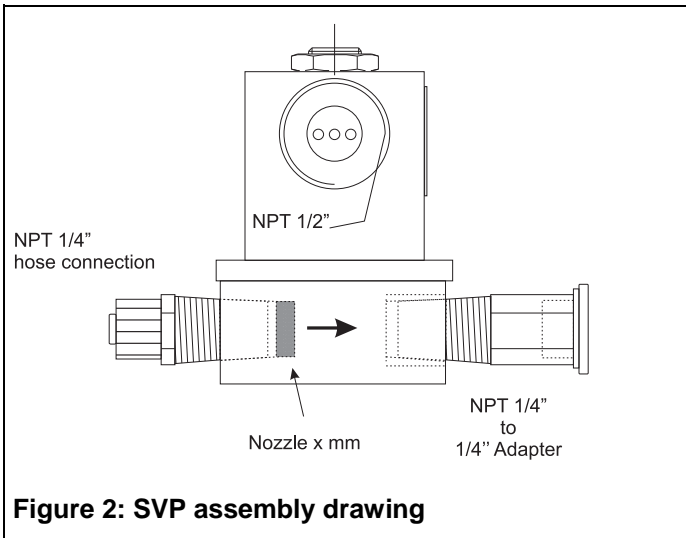


Figure 2: SVP assembly drawing

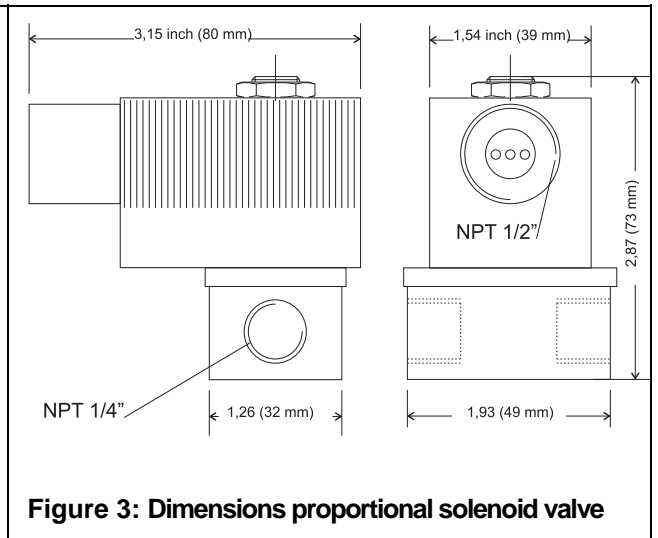


Figure 3: Dimensions proportional solenoid valve

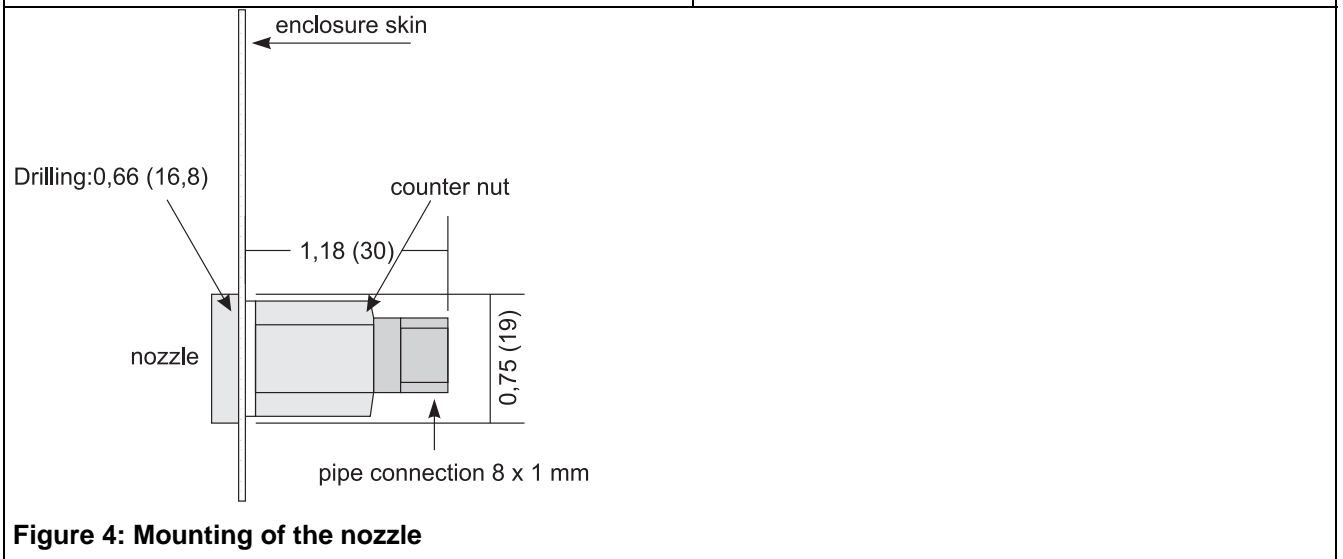
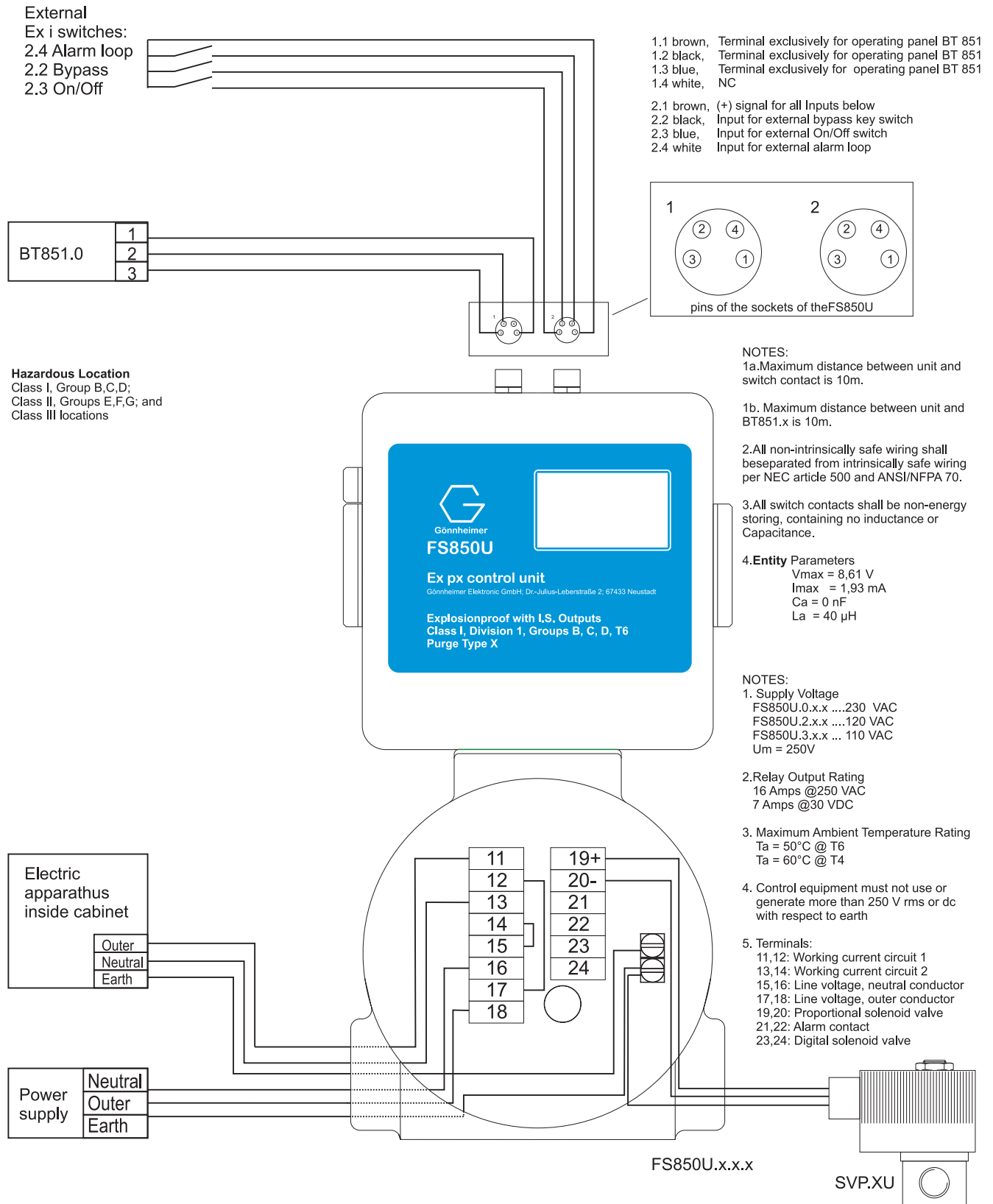


Figure 4: Mounting of the nozzle

6.12 Control drawing update



	<h1>Gönnheimer</h1> <h2>Elektronik GmbH</h2> <p>http://www.goennheimer.de Email: info@goennheimer.de</p>	 <p>Zertifiziert Qualitäts- Managementsystem nach DIN EN ISO 9001</p>	Dr.-Julius-Leber-Straße 2 67433 Neustadt/Weinstraße Postfach 10 05 07 67405 Neustadt phone: +49 (6321) 49919- 0 fax: +49 (6321) 49919 - 41	Rev. C 02/2009
---	---	--	---	-------------------